

Spares available up to end of 2017

List of components

Valid for all pumps in sizes: ACG 045/052/060/070. Rotor diameter & Generation N2/N3/N4

With version code: I } V } B } E } Also valid for pump options: A101
N } F } G } The version code is composed of the letters in the 4 columns.
Y } O } Example of pump designations
P } ACG 045N3 IVBP; option 052N4 NVBO A101

Pos No	Denomination	Qty	Components included in Spare parts set:							Valid for model N2F & N2F/60	Note
			G011	G012	G050	G053	G054	G057	G070		
1010	Power rotor	1	x				(x)		x		
1020	Power rotor	1		x				x	x		
106	Balancing piston	1	x	x				x	x		
114	Pin	1	x	x				x	x		
115	Sealing washer	1			x	x		x	x		
120	Distance sleeve	1									
122	Ball bearing	1				x	x	(x)		4	
124	Retaining ring	1	x	x		x	x	x	x		
124A	Support ring	1	x	x		x	x	x			
169	O-ring	1			x	x		x	x		
201	Idler rotor	2	x					(x)	x		
202	Idler rotor	2		x				x	x		
359	Distance washer	1									
359A	Nilos- ring	1				x	x	x			
401	Pump body	1									
451	Screw	4/6									
453	Screw	4									
462	Plug	2								1	
462A	Sealing washer	2				x	x	x	x	1	
473	Grease nipple	1									
473A	Plastic plug	1									
480	Valve housing	1							x	2	
5010	Front cover	1									
502	Tension pin	1							x		
506	Joint	1				x	x	x	x		
509A	Sealing bush	1			x	x	x		x		
509B	O-ring	1			x	x	x		x		
509D	Cup	1			x	x	x		x		
509E	Washer	1			x	x	x		x		
509F	Spring	2			x	x	x		x		
514	Retaining ring	1						x	x		
551	Rear cover	1								3	
556	Joint	1				x	x	x	x		
601	Valve cover, upper	1							x		
602	Seal ring	1				x	x	x	x		
605	O-ring	1				x	x	x	x		
606	Valve cover, lower	1							x		
607	Seal washer	1				x	x	x	x		
608	Valve spindle	1							x		
612	Regulating nut	1							x		
614	Valve piston	1							x		
615	Valve spring	1						x	x		
621	Hand wheel	1							x		
622	Tension pin	1							x		
631	Spring seat	1							x		

Explanations:

ACG: Pump with DIN-Flanges
UCG: Pump with ANSI-Flanges
A101: Nonstandard rotation: CCW (counter clockwise). CW-rotation is standard)
G011: Rotor set
G012: Rotor set
G050: Shaft seal
G053: Minor kit (G050 + G057)
G054: Major kit consisting of: G012+ G050+ G057+615
G057: Joint kit
G070: Valve element

Obsolete pumps:

N2F and N2F/60:
Available parts are noted
Replacement pump is N4 NVBP (or N7 NVBP)
"N3" always "Ixxx"
(or "Yxxx") "N4" always "Nxxx"

The ACG N2/N3/N4 are replaced by ACG K7/N7. See section C

Notes:

- 1) Valid for xxxE and xxxP/O
- 2) Valid for xxxG and xxxP/O
- 3) Valid for xxxE
- 4) A new spare part set G057 excluding ball bearing is introduced. Old set is available during a transition period. Part numbers, see ordering code.

Old designation

ACG45-2 N3F
ACG52-2 N3F 615A
ACG60-2 N3G
ACG70-2 N3E
ACGxx-2 N3F/Y

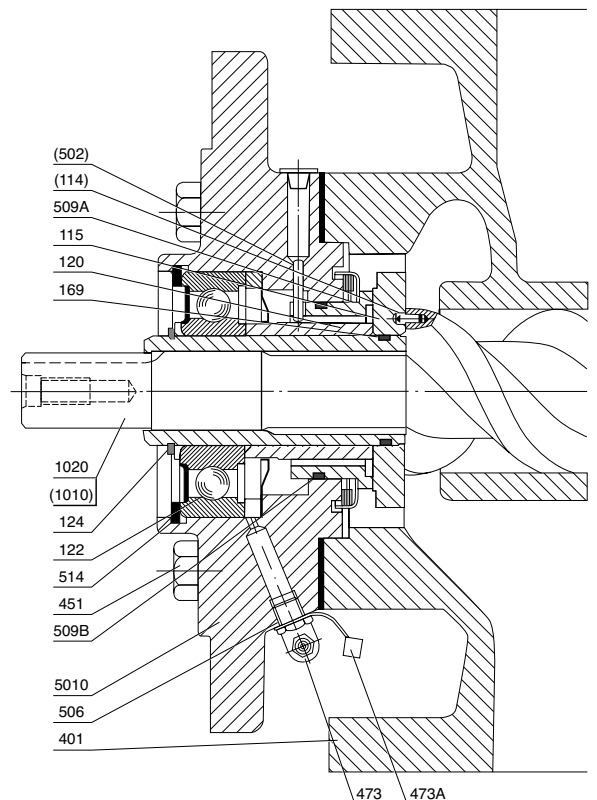
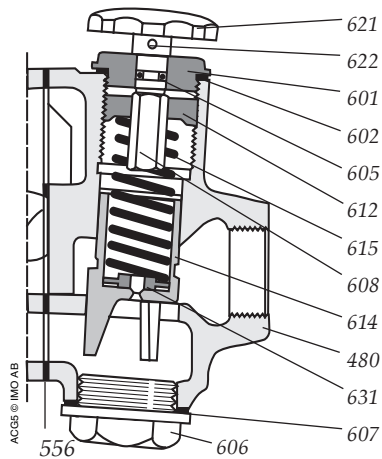
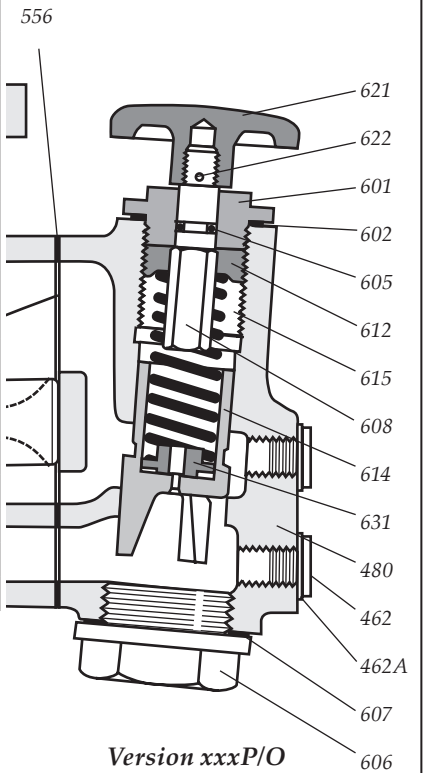
Current designation

ACG 045N3 IVBP
ACG 052N3 IVBO
ACG 060N3 IVBG
ACG 070N3 IVBE
ACG xxxN3 YVBP

Spares available up to end of 2017

Ordering code

Pos No	Spare parts (set)	Part numbers for pump size				Valid for N2F & N2F/60
		045	052	060	070	
G012	Rotor set CW-rot	131177	131185	131193	131201	x
G050	Shaft seal	069633	069641	069658	069666	x
G053	Minor kit = G050+G057					
G054	Major kit = G012+G050+G057+615					
G057	Joint kit Ixxx	185736	185751	185777	185793	
	Incl ball bearing Nxxx/Yxxx	185744	185769	185785	185801	
	" excl ball bearing (all)	191426	191427	191428	191429	
G070	Valve element xxxG/xxxP	077933	077933	077941	077941	x
120	Distance sleeve	123505	123539	123588	123612	
122	Ball bearing Ixxx	123885	123703	123760	104257	
	" Nxxx/Yxxx	076075	076083	153882	157461	
359	Distance washer	123497	123547	123570	123620	
480	Valve housing	obsolete	obsolete	obsolete	obsolete	x
5010	Front cover	obsolete	obsolete	obsolete	obsolete	
502	Tension pin	027367	027367	027367	027367	x
509C	Spring set (509D+E+F)	077396	077404	077412	077420	x
514	Retaining ring	027177	027193	027227	027235	
608	Valve spindle	039743	039743	039743	039743	x
614	Valve piston	039768	039768	043083	043083	x
615	Valve spring xxxO	157370	157370	157388	157388	x
	" xxxG/xxxP	074294	074294	074302	074302	x
631	Spring seat	039784	039784	043091	043091	x



Version xxxG

Version xxxE