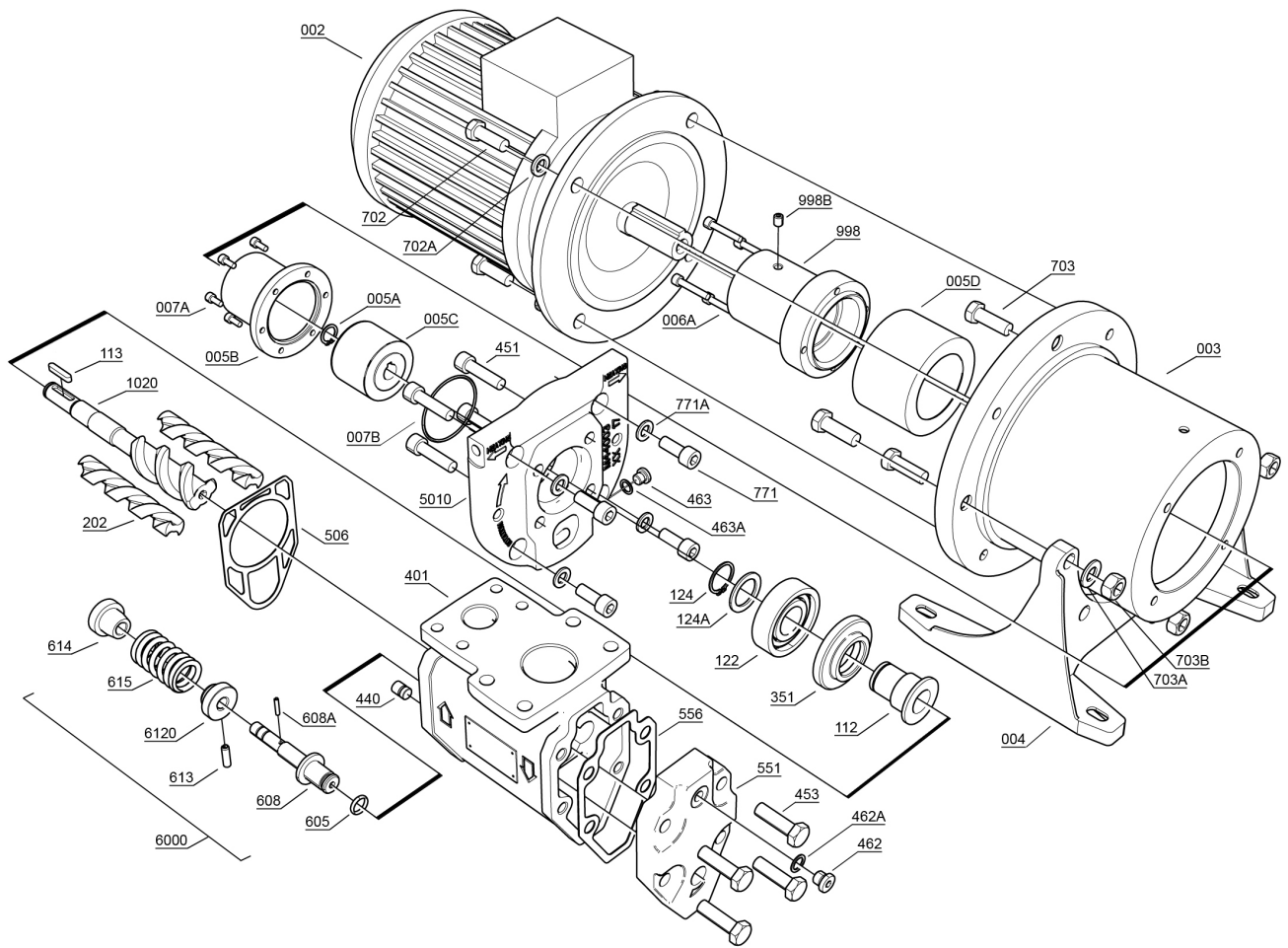


List of components

Valid for all ACE OptiLine pumps, size 025/032/038. Rotor lead and Generation: D4/K4/L4/N4
 With version codes, NJBP, NKBP, NLBP & NMBP.

PosNo	Designation	Qty	G012	G054	G057	G070	G098	Notes	Explanations
002	Motor	1							G012: Rotorset
003	Connecting frame	1							G054: Major kit
004	Angle bracket	1							G057: Joint kit
005	Magnetic coupling complete	1					x		G070: Complete valve
005A	Retaining ring	1		x	x		x		G098: Complete magnetic coupling
005B	Sealing can	1					x		
005C	Inner magnetic rotor	1					x		
005D	Outer magnetic rotor	1					x		
006A	Screw	4							Notes: 1) Gaskets for counter flanges 2) Not sold separately
007A	Screw	6							
007B	O-ring	1		x	x		x		
1020	Power rotor	1	x	x					
112	Balancing piston	1	x	x				2	
113	Shaft key	1	x	x					
122	Ball bearing	1	x	x					
124	Retaining ring	1	x	x	x				
124A	Support ring	1	x	x	x				
202	Idler rotor	2	x	x					
351	Balancing bush	1	x	x					
401	Pump body	1							
418	Gasket	1		x	x			1	
423	Gasket	1		x	x			1	
451	Screw	4							
453	Screw	4							
462	Plug	1							
462A	Sealing washer	1		x	x				
463	Plug	1							
463A	Washer	1		x	x				
5010	Front cover	1							
502	Plug	2							
506	Gasket	1		x	x				
551	Rear cover	1							
556	Gasket	1		x	x				
6000	Compl. Valve	1					x		
(605)	O-ring	1		x	x	x			
(608)	Valve spindle	1				x		2	
(608A)	Tension pin	1				x		2	
6120	Set screw	1				x		2	
(613)	Tension pin	1				x		2	
(614)	Valve piston	1				x		2	
(615)	Valve spring	1				x		2	
701	Screw	4							
701A	Washer	4							
702	Screw	4							
702A	Washer	4							
703	Screw	3							
703A	Washer	3							
998	Drive hub	1							
998B	Screw	1							
998A	Washer	1							
998B	Screw	1							



Pos No	Spare Part (set)	Part numbers for pump size			
		025	032	038	
G012	Rotor set	D-lead		193362	
	"	K-lead		193360	
	"	L-lead	193356	193358	
	"	N-lead	193357	193359	193361
G054	Major kit	D-lead		193369	
	"	K-lead		193367	
	"	L-lead	193363	193365	
	"	N-lead	193364	193366	193368
G057	Joint kit		193374	193375	193376
G070	Valve element	189873	189873	189873	
G098	Magnetic coupling	xKxx	193370	193370	
	"	xLxx	193371	193371	193371
	"	xMxx		193372	193372
	"	xNxx			193373
122	Ball bearing		173765	173765	173591

Recommended Spare Parts Kits and tool kits

Every shutdown for service of a plant is costly. The time for repair should therefore be limited to a minimum which can be accomplished by keeping a spare pump. The changed pump can later be repaired at a suitable place and can then be used as a spare pump. For maintenance the following spare parts kits and tools are recommended:

Kit:	Content:	To be used for:
G057	Gaskets & o-rings	Dismantling of pump
G012	Rotor set	Repair after break down
122	Ball bearing	Repair after break down
193397	Toolkit	Dismantling & assembly