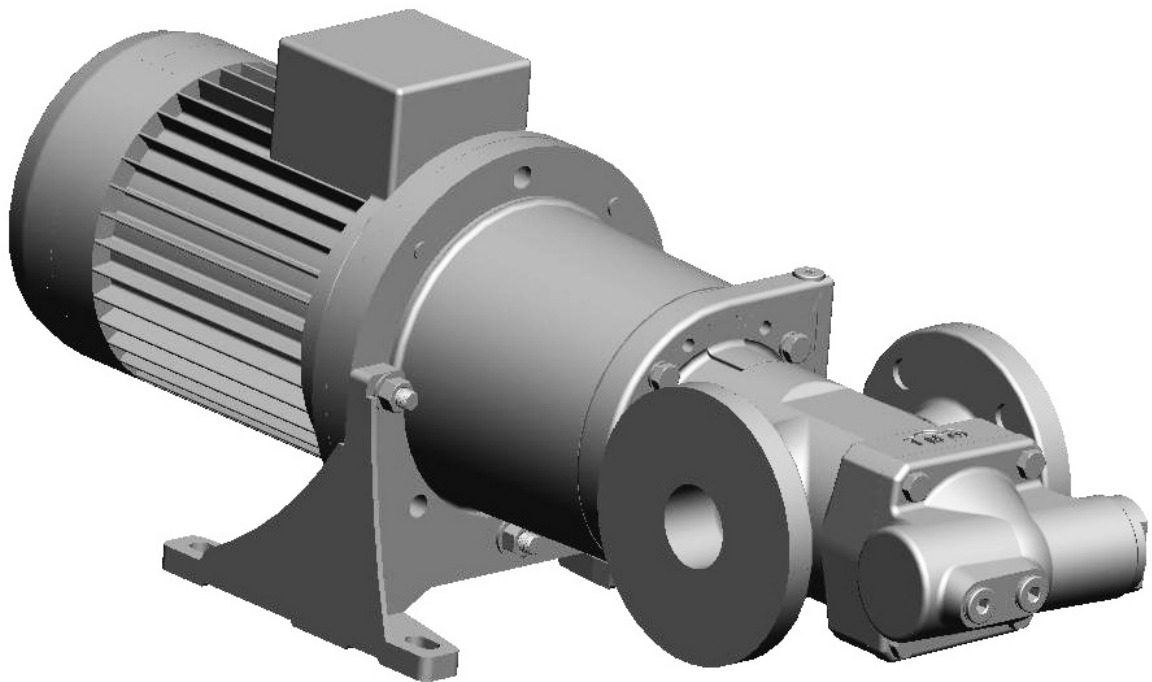


ACG8 OptiLine



Product Description



Flow volume:	75 - 1180 l/min
Max differential pressure:	16 bar
Applications:	Circulation and transfer

1. Applications

1.1 Functionality

The ACG OptiLine pump is used for a number of different fluids:

Fuel oil, vegetable oil, hydraulic oil and other hydraulic fluids, polymers, emulsions and any non-aggressive fluid with sufficient lubricating properties.

If requested, the ACE pump may be certified according to any of following classification societies: DNV, BV, LRS, ABS, RS, GL, RINA, KR, NK, RMR or CCS.

1.2 Applications

Typical applications are:

- Lubrication of diesel engines, gears, gas and steam turbines, hydro turbines and paper machines
- Circulation for cooling and filtration in large machineries, hydraulic systems and transformer oil for insulation in transformers
- Transfer onboard ships, in oil factories, refineries, tank farms etc
- Fuel supply duties for diesel engines

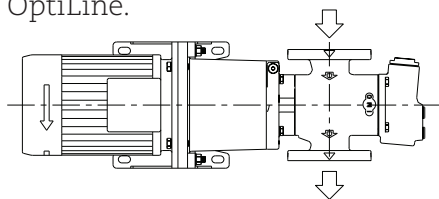
1.3 Installation

The pump is designed to be flange-mounted to its electric motor via a connecting frame and a magnetic coupling. By the angle bracket, the pump may be mounted horizontally or vertically.

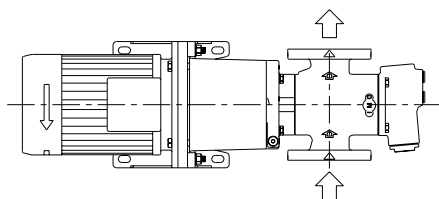
As standard, the pump is supplied without counter flanges (DIN type) but they can be included if requested.

As standard the pump is delivered with the discharge side to the right when seen from the pump shaft side (see below).

For more information about installation, see Service, Maintenance and Installation for ACG OptiLine.

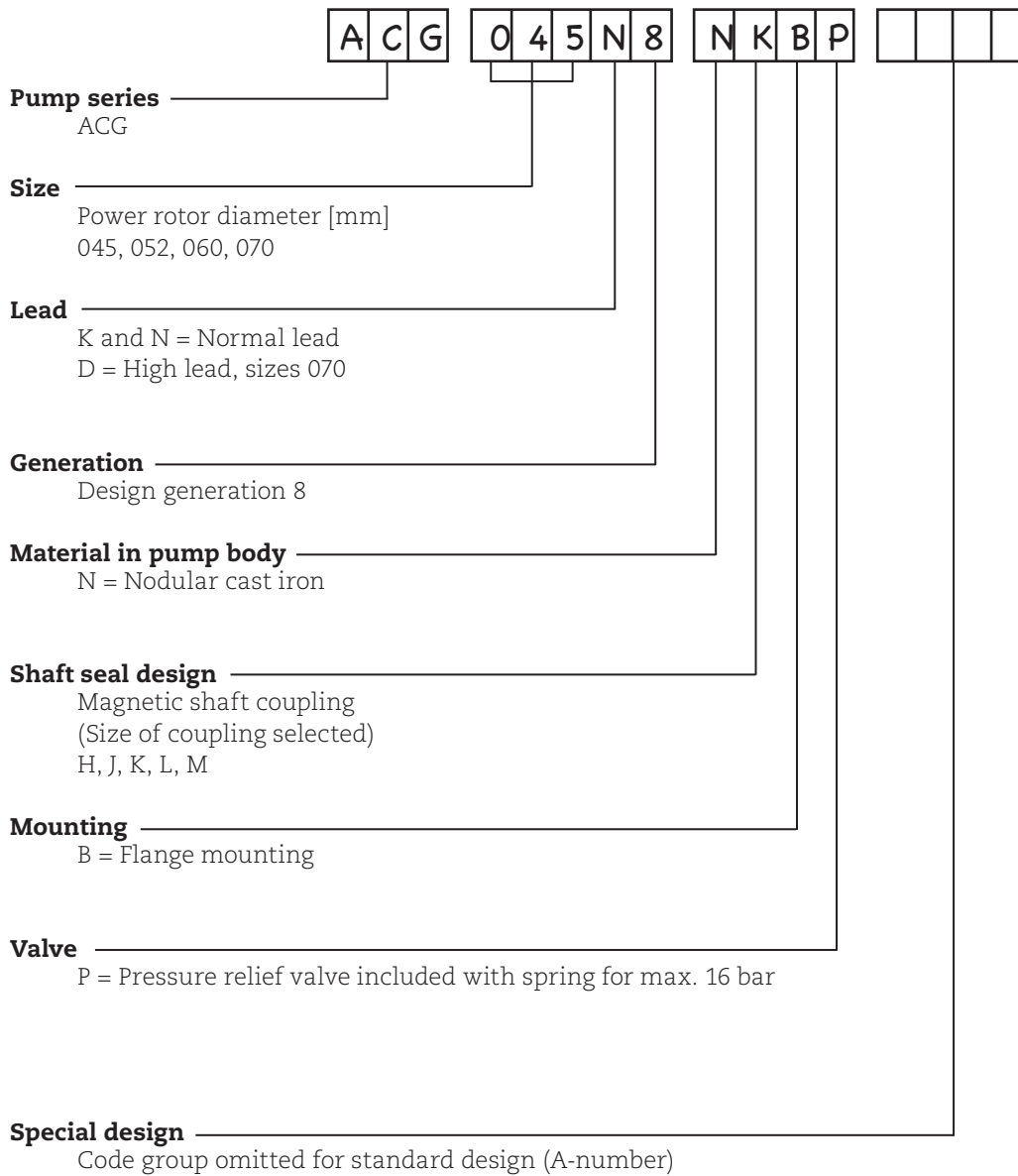


Mounting standard picture M93-0.



On request the pump can be delivered with opposite flow direction, M39-0.

2. Pump model code



3. Technical Data

3.1 Pressure Information

Pressure relief valve

The pump is equipped with an integral pressure relief valve with internal return, limiting the differential pressure across the pump and protecting the pump. Should the discharge line be blocked, the relief valve will open by the pressure.

The valve is adjustable for different opening pressures. The value of the pressure limit can be set at the factory and should be adjusted at installation (see Service, Maintenance and Installation for ACG OptiLine).

The maximum pressure accumulation varies with pump size, speed and viscosity, but will normally not exceed 4 bar.

The valve has a maximum set pressure of 16 bar.

Inlet pressure

Minimum inlet pressure (suction capability) is dependent on fluid viscosity and rotation speed. It increases with decreasing viscosity and decreasing speed. Information about minimum inlet pressure for each individual duty case can be obtained from IMO AB or pump selection software WinPump.

Maximum inlet pressure is 15 bar.

Discharge pressure

Maximum discharge pressure is 16 bar.

Differential pressure

Maximum differential pressure is 16 bar but reduced at low viscosities according to table below

Viscosity [cSt]	1,4	2	6	10	>12
Max. diff. pressure [bar]	6,9	8,0	12,4	15	16

Refer to your IMO representative or use the pump selection software WinPump to determine the exact operating limits.

3.2 Driver information

Driver type

The power from motor to the OptiLine ACG pump is transmitted without mechanical contact over a magnetic coupling. A coupling hub with a set of permanent magnets is mounted on the pump shaft. This hub is totally enclosed by a stainless steel can. The motor hub with another set of permanent magnets rotates on the outside of this can.

Thus the pumped liquid is totally confined within the pump without the use of a conventional shaft seal.

Speed

The maximum speed is 3600 rpm. For higher speeds, contact IMO AB.

Rotation

The pump is designed to operate in one rotational direction only, as standard clockwise when facing the shaft end. Pumps for CCW operation can be delivered on special request. For shorter periods of time, a few minutes for emptying a discharge line, the pump may be operated in reverse direction, provided the back pressure is limited to 3 bar.

3. Technical Data

3.3 Sound level

Typical pump sound levels refer to free field conditions at a distance of 1 m from the pump. Noise of driver excluded in the quoted figures. The sound levels are measured at a discharge pressure of 5 bar, speed 2900 rpm and viscosity 37 cSt.

Size	045	052	060	070
Sound level dB [A]	59	63	66	68

3.4 Moment of Inertia

Moment of inertia [10⁻³ kgm²]

	Size			
Coupling sing	045	052	060	070
H	15	-	-	-
J	16	17	-	-
K	17	17	28	67
L	17	17	28	72
M	19	19	34	78

3.5 Magnetic shaft coupling

< Torque values (greater than, at least) [Nm]

	Size			
Coupling	045	052	060	070
H	10	-	-	-
J	20	20	-	-
K	30	30	25	85
L	40	40	50	140
M	60	40	80	180

3.6 Fluid viscosity

OptiLine:
1.4 – 1500 cSt

3.7 Fluid temperature

-20 – +180 °C

4. Design

4.1 Ball bearing

The pump is fitted with an internal ball bearing which continuously is being greased by the handling media.

4.2 Material & design

Model	Material pump	Material rotot	Material idler	Material seal	Material elastomers
ACG OL	Nodular cast iron	Structural steel, surface treated	Cast iron, surface treated		Special rubber

4.3 Steam tracing

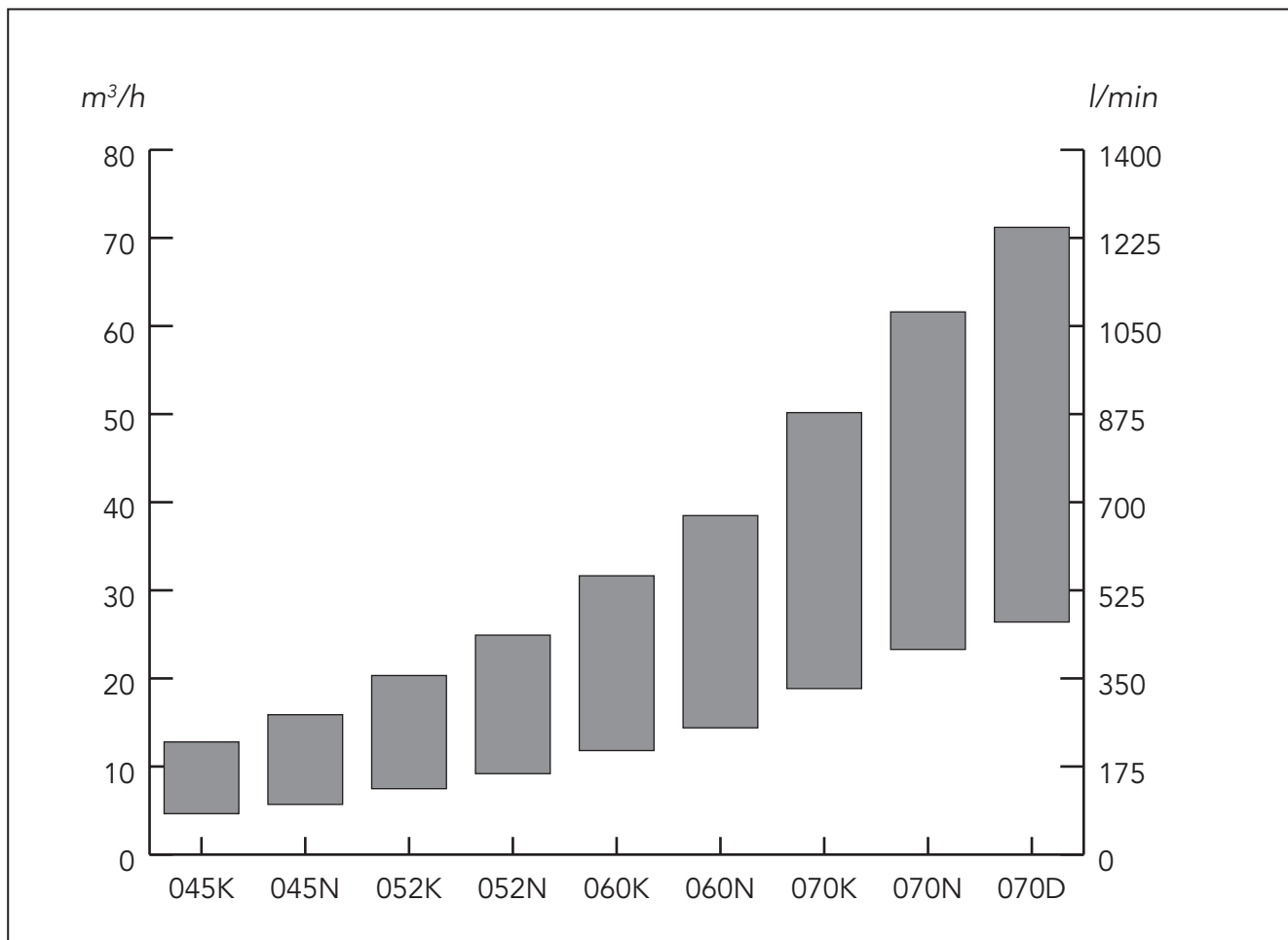
During cold start-up conditions, high viscosity could cause the rated torque for the coupling to be exceeded.

The IMO OptiLine pump series have a way to warm up the pump by leading steam into small channels at the front cover. This is recommended if cold upstart can be assumed.

See Pump Unit Dimensions for dimensions of the connections to the steam system.

5. Performance Guide

Typical performance values at 5 bar
Flow calculated at 26 cSt, power at 260 cSt.

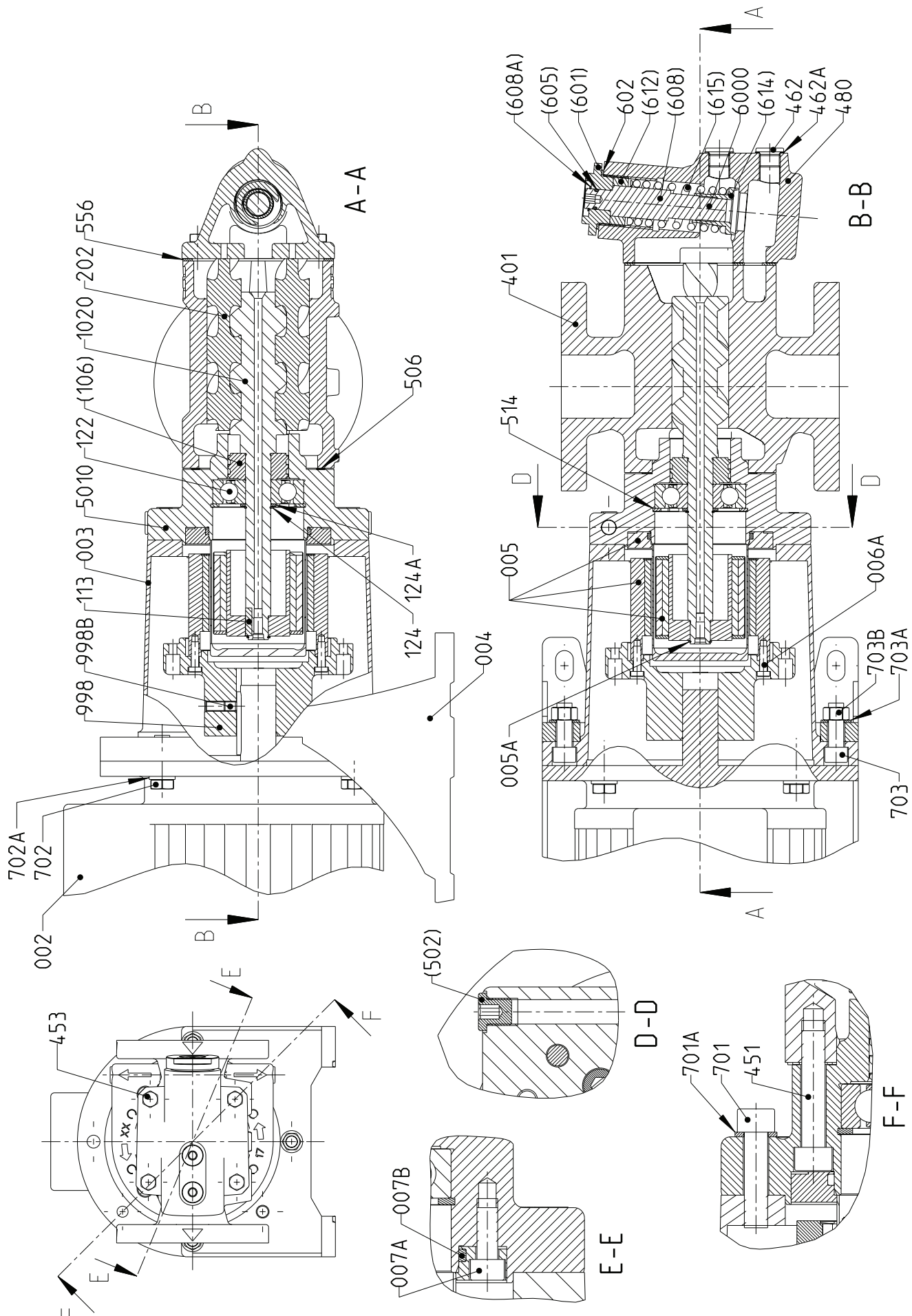


045K				045N				052K				052N			
<u>rpm</u>	<u>l/min</u>	<u>kW</u>	<u>form</u>	<u>l/min</u>	<u>kW</u>	<u>form</u>	<u>l/min</u>	<u>kW</u>	<u>form</u>	<u>l/min</u>	<u>kW</u>	<u>form</u>	<u>l/min</u>	<u>kW</u>	<u>form</u>
1470	77	1,5	NJBP	95	1,8	NJBP	125	2,2	NJBP	153	2,7	NKBP	177	3,3	NKBP
1770	97	1,8	NJBP	119	2,2	NJBP	156	2,8	NJBP	191	3,4	NKBP	225	4,1	NKBP
2950	174	3,5	NJBP	216	4,2	NJBP	277	5,3	NKBP	340	6,4	NKBP	403	7,9	NKBP
3550	213	4,4	NKBP	265	5,4	NJBP	229	6,9	NLBP	415	8,0	NKBP	498	9,8	NKBP

060K				060N				070K				070N			
<u>rpm</u>	<u>l/min</u>	<u>kW</u>	<u>form</u>	<u>l/min</u>	<u>kW</u>	<u>form</u>	<u>l/min</u>	<u>kW</u>	<u>form</u>	<u>l/min</u>	<u>kW</u>	<u>form</u>	<u>l/min</u>	<u>kW</u>	<u>form</u>
1470	197	3,7	NLBP	240	4,3	NLBP	314	6,8	NKBP	388	7,8	NKBP	470	9,1	NKBP
1770	245	4,6	NLBP	298	5,5	NLBP	389	8,5	NKBP	480	9,9	NLBP	580	10,9	NLBP
2950	432	8,9	NLBP	525	10,5	NLBP	686	16,8	NLBP	843	21,0	NLBP	1027	27,2	NLBP
3550	528	11,3	NLBP	641	13,3	NLBP	836	21,8	NLBP	1027	27,2	NLBP	1250	33,3	NLBP

070D			
<u>rpm</u>	<u>l/min</u>	<u>kW</u>	<u>form</u>
1470	440	9,7	NLBP
1770	548	12,4	NLBP
2950	971,3	24,7	NLBP
3550	1187,6	32,0	NLBP

6. Sectional view

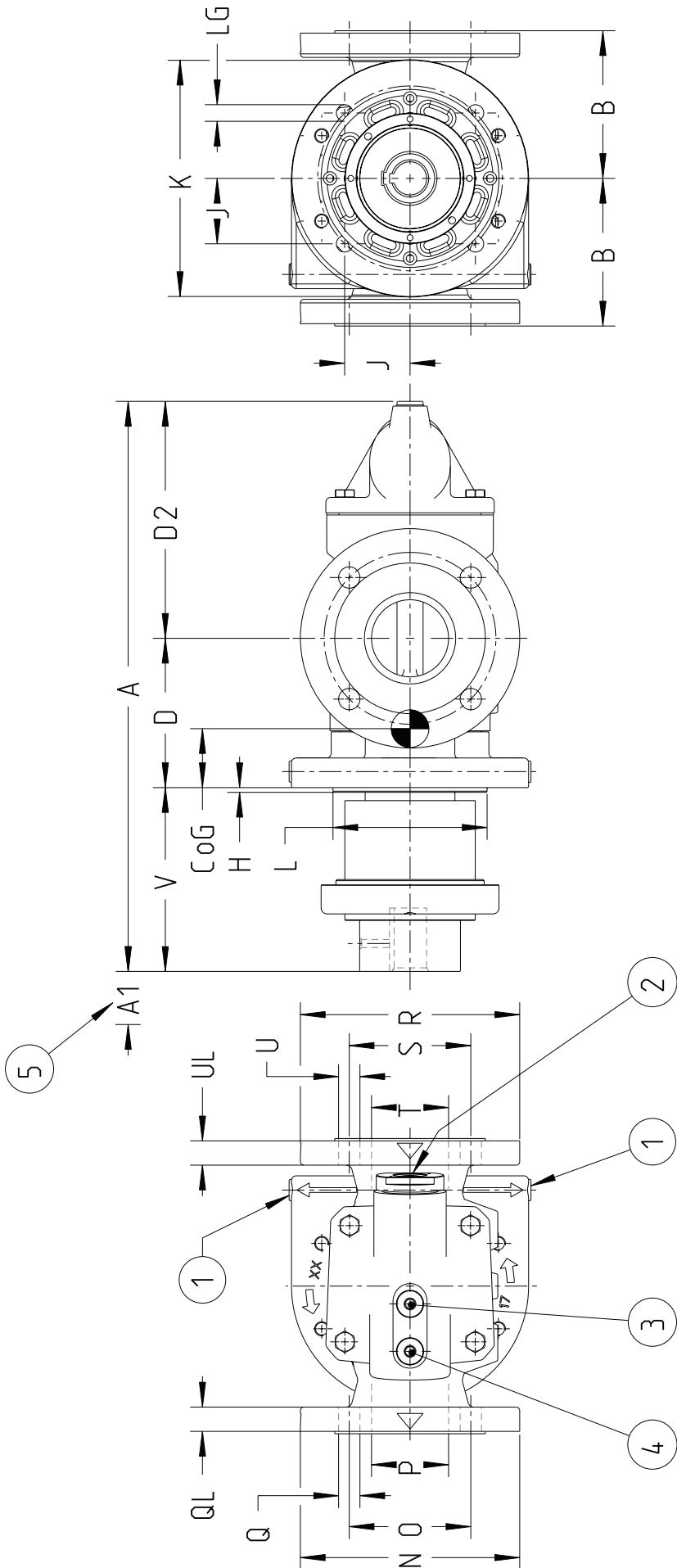


Pos No	Denomination	Pos No	Denomination	Pos No	Denomination
002	Motor	401	Pump body	(608A)	Retaining ring
003	Connecting frame	451	Screw	(612)	Regulating nut
004	Angle bracket	453	Screw	(614)	Valve piston
005	Magnetic coupling	462	Plug	(615)	Valve spring
005A	Retaining ring	462A	Sealing washer	602	Sealing washer
006A	Screw	480	Valve housing	701	Screw
007A	Screw	5010	Complete front cover	701A	Washer
007B	O-ring	(502)	Plug	702	Screw
1020	Complete power rotor	506	Gasket	702A	Washer
(106)	Balancing piston	514	Retaining ring	703	Screw
113	Key	556	Gasket	703A	Washer
122	Ball bearing	6000	Complete valve element	703B	Nut
124	Retaining ring	(601)	Valve top cover	998	Drive hub
124A	Support ring	(605)	O-ring	998B	Screw
202	Idler rotor	(608)	Valve spindle		

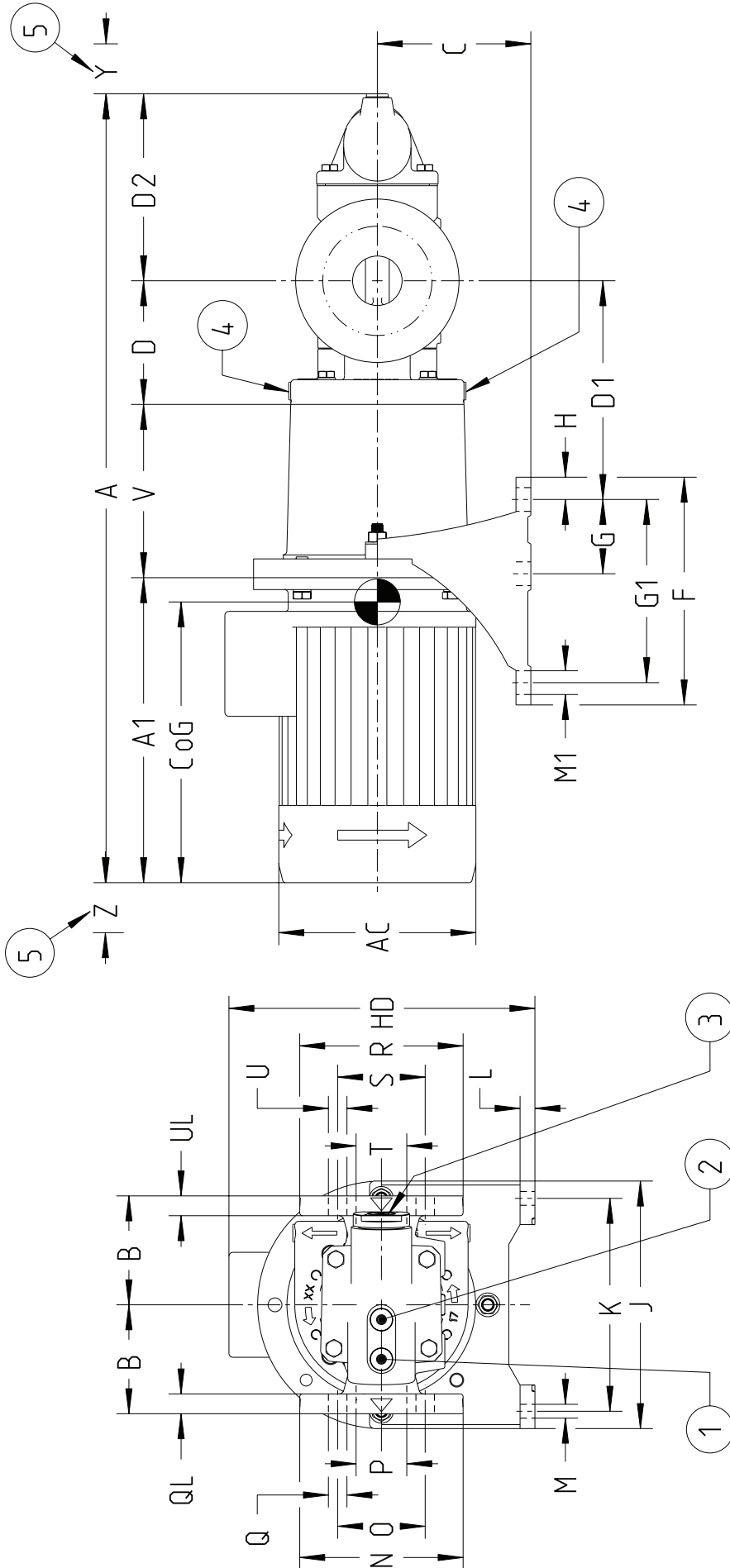
Notes:

- Components with Pos No within parenthesis are parts of subassembly

8. Pump Dimensions



9. Pump Unit dimensions



9. Pump Unit dimensions

Pump Size	IEC No	Frame size	Main dimensions										Foot dimensions										Outlet						Inlet				Dism.		Weight	
			A	A1	AC	B	C	D	D1	D2	V	F	G	G1	H	HD	J	K	L	M	M1	N	O	P	Q	QL	R	S	T	U	UL	Y	Z	CoG	kg	
045	100	F215	796	308	199	155	221	175	230	75	185	22	309	250	215	15	14	24																184	397	63
	112		810	322	215	110	226	188				322	300	265	18	14	24																205	392	68	
	132	F265	880	371	255	235	238		196	228	305	115	265	20	18	18	30																237	401	84	
	160	F300	1036	495	314	155	222						309	350	300	18	18	30															204	441	127	
052	100	F215	805	308	199	155	222	175	230	75	185	22	309	250	215	15	14	24																184	421	70
	112		819	322	215	122,5	227	196				322	300	265	18	14	24																	205	415	75
	132	F265	889	371	255	185	239		211,5	228	305	115	265	20	18	18	30																237	466	135	
	160	F300	1045	495	314	235	269						373	300	265	18	14	24															204	471	108	
060	132	F265	947	371	255	185	281	196	270	95	225	23	373	300	265	18	18	30																220	507	148
	160	F300	1103	495	314	235	281	228	305	115	265	20	475	350	300	18	18	30																236	509	182
	180		1165	557	358	168	296	210	270	95	225	23	373	300	265	18	14	24																220	505	128
	132	F265	986	371	255	185	322					475	350	300	18	18	30																	266	554	168
070	160	F300	1156	495	314	235	322	256	305	115	265	20	495	400	350	18	18	30																266	554	202
	180		1218	557	358	181	312	285	385	-	300	25	561	400	350	20	18	30																266	544	339
	200	F350	1338	677	381	260	331																											295	593	461
	225	F400	1465	775	448	295	331	285	385	-	335	25	640	450	400	20	18	30																	295	593

Drawing remarks:

- (1) Outlet gauge. ISO G3/8
- (2) Inlet gauge. ISO G3/8
- (3) Control for relief valve
- (4) Connection for heating. ISO G1/4

(5) Space for dismantling

Notes:

- Dimensions in mm
- Dimensions A, A1, AC and Weight are valid for Brook Crompton motors
- Dimensions Z and Weight are valid for respective pump size with it's largest magnetic coupling
- Weight is an approximate value

10. Accessories

A bare shaft pump (Fig. 1) can be ordered with the accessories in fig. 2-6.

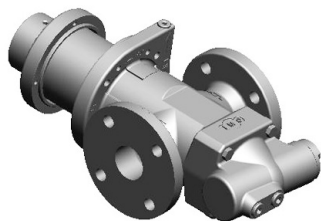


Fig. 1 Bare shaft pump



Fig. 2 Set of counter flanges



Fig. 3 Connecting frame



Fig. 4 Electric motor



Fig. 5 Angle bracket



Fig. 6. Gauge panel

11. Maintenance and Service

Spare parts for these pumps are easily available from stock. For detailed information and know-how about service, see Service, Maintenance and Installation for ACG OptiLine or contact IMO AB.

**For latest updates, check:
www.imo.se**