

List of components

Pos No	Denomination	Qty	Mounting form		Spare parts sets:					Note	
			NMH 65G	NMS 65G	11G	12G	20G	50G	90G		
101	Power rotor CCW-rot	1			x					(x)	
102	Power rotor CW-rot.	1				x				x	
103	Ball	1			x	x				x	
104	Spring	1			x	x				x	
105	Hole screw	1			x	x				x	
106	Balancing piston	1			x	x				x	
120	Distance sleeve	1								x	
120A	O-ring	1								x	3,4
120A	Distance sleeve	1								x	1
122	Ball bearing	1								x	
122A	Nilos ring	1								x	3,4
123	Locking washer	1								x	
124	Bearing nut	1								x	
139	Sealing washer	1							x	x	2
140	O-ring	1							x	x	
2010	Idler rotor (CCW-rot)	2			x					(x)	
2020	Idler rotor (CW-rot)	2				x				x	
209	Tension pin incl in 20x0	2			x	x				x	
211	Thrust collar incl in 20x0	2			x	x				x	
301	Sleeve	1						x		x	
307	Screw	4							x	x	
329	O-ring	1						x		x	
340	Mandrel	1						x		x	6
341	Flange	1									3
341A	Joint	1									3
355	Screw incl in 4010	2									
382	Screw	4								x	
382A	Washer	4								x	
390	Distance tube	4								x	
391	Bearing plate	1								x	
4010	Pump body	1									
423	O-ring	1									5
453	Screw	4+4	x	x				x		x	
453A	Nut	4+4						x		x	
460	Pin	2									3,4
462	Plug, sizes 080-090 only	1	x								
463	Plug	1									
463A	Washer	1									
502	Tension pin incl in 5110	1								x	2
509A	Sealing bush	1							x	x	2
509B	O-ring	1							x	x	2
509C	Spring	2							x	x	2
509D	Washer	1							x	x	2
5110	Gland	1								x	2
511A	O-ring	1								x	2
520	Washer	1									
521	Screw	4									
527	Sealing cover	1								x	
529	V-ring	1								x	3,4
551	Inlet chamber	1	x	x							
556	O-ring	1	x	x							

Explanations:

65G: Inlet chamber
11G: Rotor set (CCW-rot, non std)
12G: Rotor set (CW-rot, std)
20G: Sleeve element
50G: Shaft seal
90G: Pump element

Valid for pumps:

ALB xx-4 NM (normal lead)
xx-4B NM (low lead)
xx-4H NM (high lead)

Pumps incl inlet chamber:

NMH (radial inlet)
NMS (axial inlet)

Valid for pump options:

N (submerged ver. excl shaft seal)
NM/101
NM/101/52
NM/101/341/52
NM/101/401A/52
NM/101/401B/52
NM/401A/52
NM/52

101: CCW-rotation

52: Cast iron parts unpainted and all O-rings in Viton

341: Pump with special pump casing and special flange

401A: Pump with special pump casing

401B: Pump with special pump casing

*** ALB pumps and their spares are obsolete. Shaft seals and those parts which are identical to those in the corresponding ALG pump are still available, please contact IMO.**

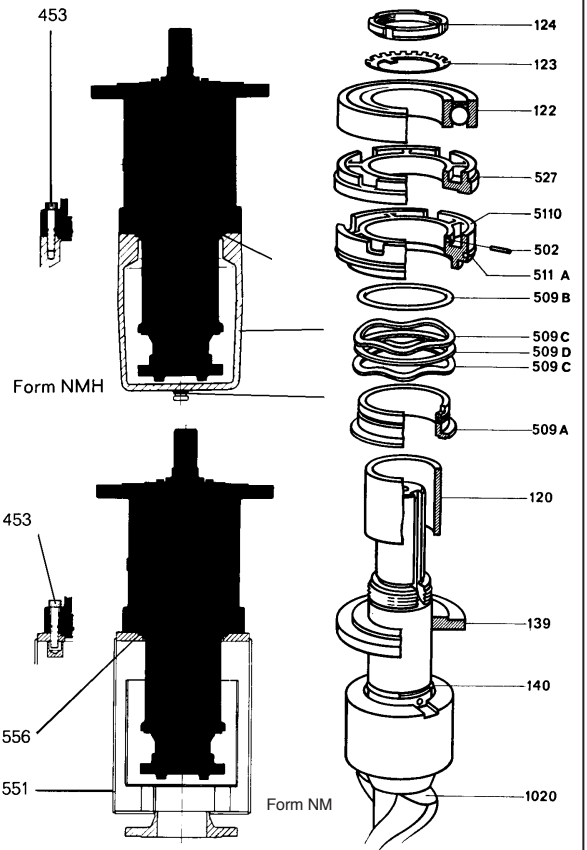
Notes:

- 1) Included in form N only.
- 2) Included in form NM only.
- 3) Included in option NM 101/341/52 only.
- 4) Included in option NM 101/401A/52 only. Also valid for form NM 101/401B/52 except item 460 which is excluded on this pump.
- 5) Included in the SAE counter flange (outlet).
- 6) The mounting mandrel is delivered together with all 20G and 90G elements to facilitate the mounting.

Ordering code

Pos No	Spare parts (set)		p/n for pump size		Note
			080	090	
50G	Shaft seal	NM	070623	070623	
140	O-ring		016824	016824	
329	O-ring		016501	016501	
423	O-ring		016097	016097	
509B	O-ring		016873	016873	
511A	O-ring		016931	016931	
556	O-ring		016501	016501	

Assembly drawing



Figur 4

Shaft seal for sizes 60-70, please see list obsolete shaft seals for withdrawn pumps

