

Spares available up to end of 2017

List of components

Valid for all pumps in sizes: ACG/UCG 045/052/060/070; Rotor diameter and generation: K6/N6

With version codes: I } T } B } E } The version code is composed of the letters in the 4 columns
N } V } F } O } Also valid for pump options: A020, A101, A327
R } P } Example of pump designations
G } std: ACG 045N6 IVBP; option ACG 070N6 IVBO A101

Pos No	Denomination	Qty	Components included in Spare parts sets:							Note
			G011	G012	G050	G053	G054	G057	G070	
1010	Power rotor CCW-rot.	1	x					(x)		
1020	Power rotor CW-rot.	1		x				x		
106	Balancing piston	1	x	x				x		5
113	Shaft key	1	x	x				x		
120	Distance sleeve	1								
122	Ball bearing	1				x	x	(x)		7
124	Retaining ring	1				x	x	x		
124A	Support ring	1				x	x	x		
133	Dust protection ring	1				x	x	x		
201	Idler rotor CCW-rot.	2	x					(x)		
202	Idler rotor CW-rot.	2		x				x		
359	Distance washer	1								
359A	Support ring	1				x	x	x		
401	Pump body	1								
424	Sleeve	1								4
424A	Washer	1								4
429	Spindle	1								4
437	O-ring	1								4
440	Return valve	1								
451	Screw	4/6								
453	Screw	4								
462	Plug	2								1
462A	Sealing washer	2				x	x	x		1
473	Grease nipple	1								
473A	Grease nipple cover	1								
480	Valve housing	1								2
5010	Front cover	1								
502	Tension pin	1								6
502A	Plug	1								6
506	Gasket	1				x	x	x		
509	Shaft seal	1			x	x	x			
514	Retaining ring	1				x	x	x		
520	Cover	1								
520A	Screw	4								
537	Plug	2								
537A	Sealing washer	2								
545	Tension pin	1								6
551	Rear cover	1								3
556	Gasket	1				x	x	x		
601	Valve cover	1							x	2
602	Sealing washer	1				x	x	x	x	2
605	O-ring	1				x	x	x	x	2
606	Valve housing plug	1							x	2
607	Sealing washer	1				x	x	x	x	2
608	Valve spindle	1							x	2
608A	Retaining ring	1							x	2
612	Set screw	1							x	2
614	Valve piston	1							x	2
615	Valve spring	1						x	x	2
631	Spring seat	1							x	2

Explanations:

ACG: Pump with DIN flanges
UCG: Pump with ANSI flanges
A020: Surface-treated cast iron pump bodies.
A101: Nonstandard rotation: CCW (counter clockwise). CW-rotation is standard)
A327: Pump with Tuning
G011: Rotor set CCW-rotation option
G012: Rotor set CW-rotation (std)
G050: Shaft seal
G053: Minor kit (G050 + G057)
G054: Major kit consisting of: G053 + G012 (G011) + 615
G057: Joint kit
G070: Valve element

Notes:

- 1) Excluded in xxxG
- 2) Excluded in xxxE
- 3) Valid for xxxE
- 4) Valid for pump option A327
- 5) Included in item 1020 or 1010
- 6) Included in item 5010
- 7) A new spare part set G057 excluding ball bearing is introduced. Old set is available during a transition period. Part numbers, see Ordering code

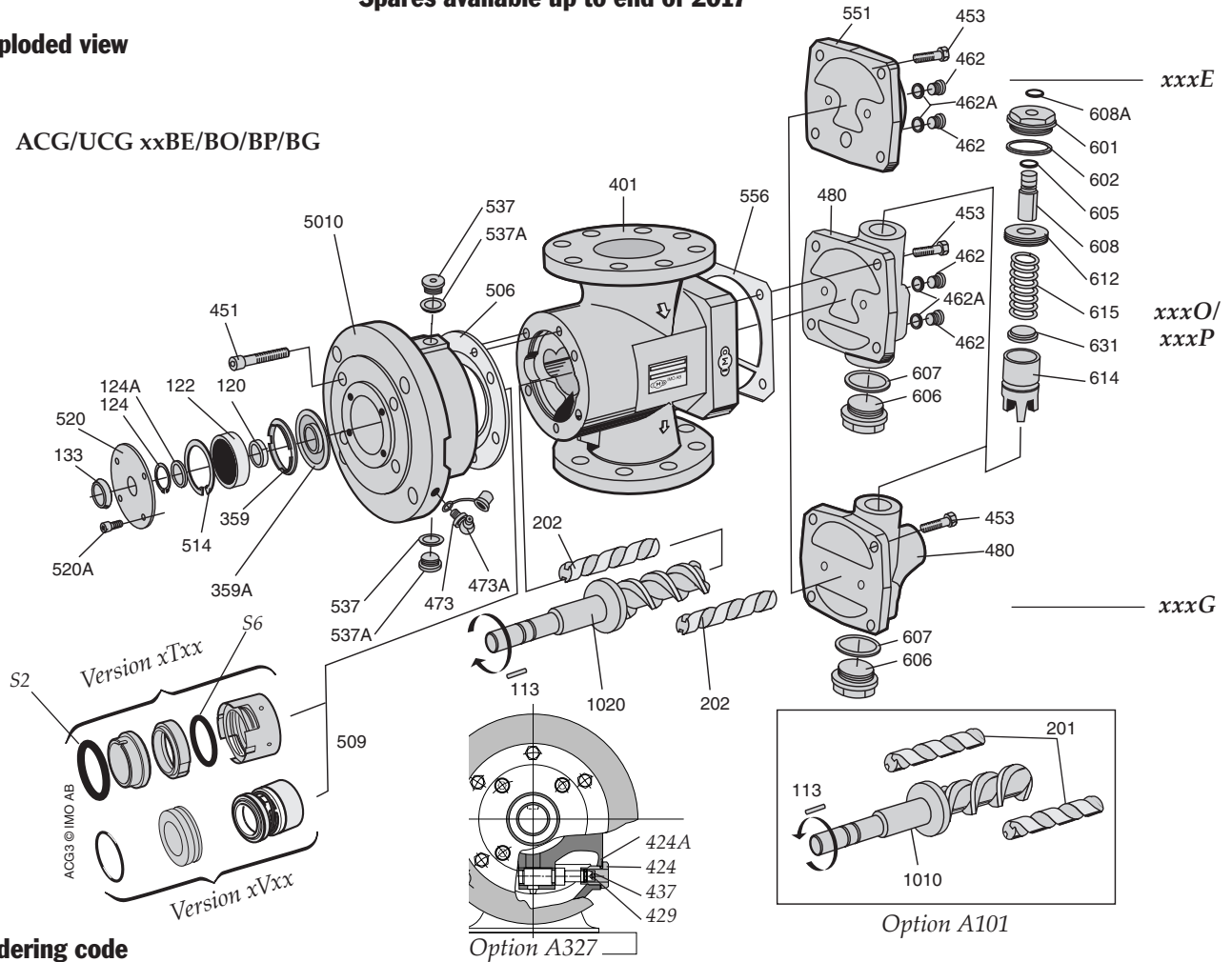
Please note:

ACG K6/N6 are replaced by K7/N7, see section C.

Spares available up to end of 2017

Exploded view

ACG/UCG xxBE/BO/BP/BG



Ordering code

Pos No	Spare parts (set)	Part numbers for pump size			
		045	052	060	070
G011	Rotor set CCW-rot K-lead	189641	189642	189643	189644
"	" N-lead	186478	186486	186494	186502
G012	Rotor set CW-rot K-lead	187542	187559	187567	187575
"	" N-lead	178913	179507	179515	179523
G050	Shaft seal xTxx	174094	174102	174110	174128
"	" xVxx	190335	190336	190338	190340
G053	Minor kit xTxx	189197	189199	189201	189203
"	" xVxx	189196	189198	189200	189202
G054	Major kit=G012(G011)+G053+615				
G057	Joint kit incl ball bearing	179531	179549	179556	179564
"	" excl ball bearing	191422	191423	191424	191425
G070	Valve element xxxG/xxxP	190201	190201	190202	190202
"	" xxxO	190200	190200	190203	190203
120	Distance sleeve	173112	172908	173575	173237
122	Ball bearing	173757	173765	173591	173260
133	Dust protection ring	173138	172981	173609	173278
359	Distance washer	173161	172916	173542	173245
480	Valve housing	obsolete	obsolete	obsolete	obsolete
5010	Front cover	obsolete	obsolete	obsolete	obsolete
502	Tension pin	027367	027367	027367	163956
537A	Sealing washer	010975	010975	010975	010975
608	Valve spindle	190002	190002	190002	190002
614	Valve piston	039768	039768	043083	043083
615	Valve spring xxxG/xxxP	074294	074294	074302	074302
"	" xxxO	157370	157370	157388	157388
631	Spring seat	039784	039784	043091	043091
S2	O-ring xTxx	190806	190792	190807	191513
S6	O-ring xTxx	190791	191515	191516	191517

Recommendation:
 For maintenance the following spare part sets are recommended:
Set: To be used:
G057 Joint kit
 For dismantling of the pump
G053 Minor kit
 For service
G054 Major kit
 For repair after damage or greater wear.
 Pumps for HFO application should be replaced by our ACG OptiLine, magnetic coupled pump. Pump duty required for correct selection.

Ordering example:
 For IMO-pump ACG 045N6 IVBP, serial number 496890
 Shaft seal
 pos G050 p/n 190335
 Valve spring
 pos 615 p/n 074294