

Spares available up to end of 2018.

List of components

Valid for all ACF/UCF Generation 4 pumps with lead and sizes: 080/090/100 K4/N4; 110/125 L4/N4
with version codes: I } R } B } E } Also valid for pump options A020, A084, A087, A101.
N } V } F } O } The version code is composed of the letters in the 4 columns
P } Example of pump designations std: ACF 080N4 IRBO
option: ACF 100K4 NVBP A101

Pos No	Denomination	Qty	Components included in Spare parts sets:							Valid for N2F & N2F/60	Note
			G011	G012	G050	G053	G054	G057	G070		
1010	Power rotor (CCW-rot.)	1	x					(x)			
1020	Power rotor (CW-rot.)	1		x				x			
113	Key	1	x	x							
122	Ball bearing	1				x	x	(x)			8
123	Locking washer	1				x	x	(x)			8
124	Bearing nut	1				x	x	(x)			8
130	Support ring	1				x	x	x			
132	Retaining ring	1				x	x	x			
201	Idler rotor (CCW-rot.)	2	x					(x)			
202	Idler rotor (CW-rot.)	2		x				x			
401	Pump body	1									
424	Tuning cover	1									
424A	Gasket	1				x	x	x			
425	Screw	4									
429	Throttle spindle	1									
429A	Tension pin	1									
430	Piston	1									1
432	Tension pin	1									1
437	O-ring	1				x	x	x			
451	Screw	4-6									
453	Screw	8									
455	Screw	8									
462	Plug	1								x	
462A	Sealing washer	1				x	x	x		x	
463	Plug	1								x	
463A	Sealing washer	1				x	x	x		x	
480	Valve housing	1								x	5
501	Front cover	1									
506	O-ring	1				x	x	x		x	
509A	Rotating ring	1			x	x	x				2
509C	Rubber ring	1			x	x	x				
509D	Washer	1			x	x	x				
509E	Spring	1			x	x	x				
511	Seat	1			x	x	x				2
511A	O-ring	1			x	x	x				
520	Bearing disc	1									
521	Screw	4								x	
526	Grease nipple	1								x	7
526A	Protective cap	1								x	7
537	Deaeration plug	1									
537A	Washer	1									
551	Rear cover	1									3
556	Gasket	1				x	x	x		x	
601	Top cover	1							x	x	5
602	Gasket	2				x	x	x	x	x	5,6
605	O-ring	1				x	x	x	x	x	5
606	Bottom cover	1							x	x	5
608	Valve spindle	1							x	x	5
612	Regulating nut	1							x	x	5
613	Pin	1							x	x	5
6140	Valve piston	1							x	x	5
615	Valve spring	1						x	x	x	5
621	Wheel	1							x	x	5
622	Nut	1							x	x	5

ACF/UCF (K4/L4/N4) Low pressure pump
Obsolete product - Current ACF (K5/L5/N5) See section C



Spare parts book
 September 2016

Spares available up to end of 2018.

Pos No	Denomination	Qty	Components included in Spare parts sets:						Valid for N2F & N2F/60		Note
			G011	G012	G050	G053	G054	G057	G070		
622A	Key	1							x	x	5
623	Valve plate	1							x	x	5
636	Shock valve	0-2							x	x	4, 5
655	Washer	1							x	x	5
656	Sleeve	1							x	x	5
657	Spring	1							x	x	5
658	Distance sleeve	1							x	x	5

Explanations:

ACF: Pump with DIN flanges

UCF: Pump with ANSI flanges

A020: Surface-treated cast iron pump bodies.

A050: Unpainted pump

A084: Pump with lifetime ballbearing

A087: Combination of A101 + A084

A101: Nonstandard rotation: CCW (counter clockwise) CW-rotation is standard)

G011: Rotor set CCW-rot.

G012: Rotor set CW-rot.

G050: Complete shaft seal

G053: Minor kit

G054: Major kit

G057: Joint kit

G070: Valve element

Old designation

Current designation

ACF 80-3 N4F

ACF 080N4 IRBO

ACF 90-3 N4F 615B

ACF 090N4 IRBP

ACF 100-3 N4F A051

ACF 100N4 IVBO

ACF 110-3L N4F/Y

ACF 110L4 IRBO A020

ACF 125-3L N4F A101

ACF 125L4 IRBO A101

Obsolete pumps

N2F & N2F/60: (ACF only)

N2F & N2F/60 pump has different Shaft Seal, p/n for this seal can be found in the obsolete section: Shaft Seals for withdrawn pumps.

N3F: (ACF only)

Most parts are also valid for N3F-pumps. Should you however need new pump body item 401 - please order new ACF Gen. 5 pump.

Notes:

- 1) Valid for sizes 100 - 125
- 2) Delivered only as shaft seal G050
- 3) Valid for pump xxxE, item no 601 - 658, 480 excluded
- 4) Number of shock valves: size 080-090 :0
100-110: 1, 125: 2
- 5) Valid for pump xxxO/xxxP
- 6) On some older drawings is one pce noted as 602 and the other as 607.
- 7) Excluded in A084 & A087, replaced by a plugg.
- 8) New spare part set G057 excluding ball bearing, washer and nut introduced. Old set available during a transfer period. Part numbers, see ordering code.

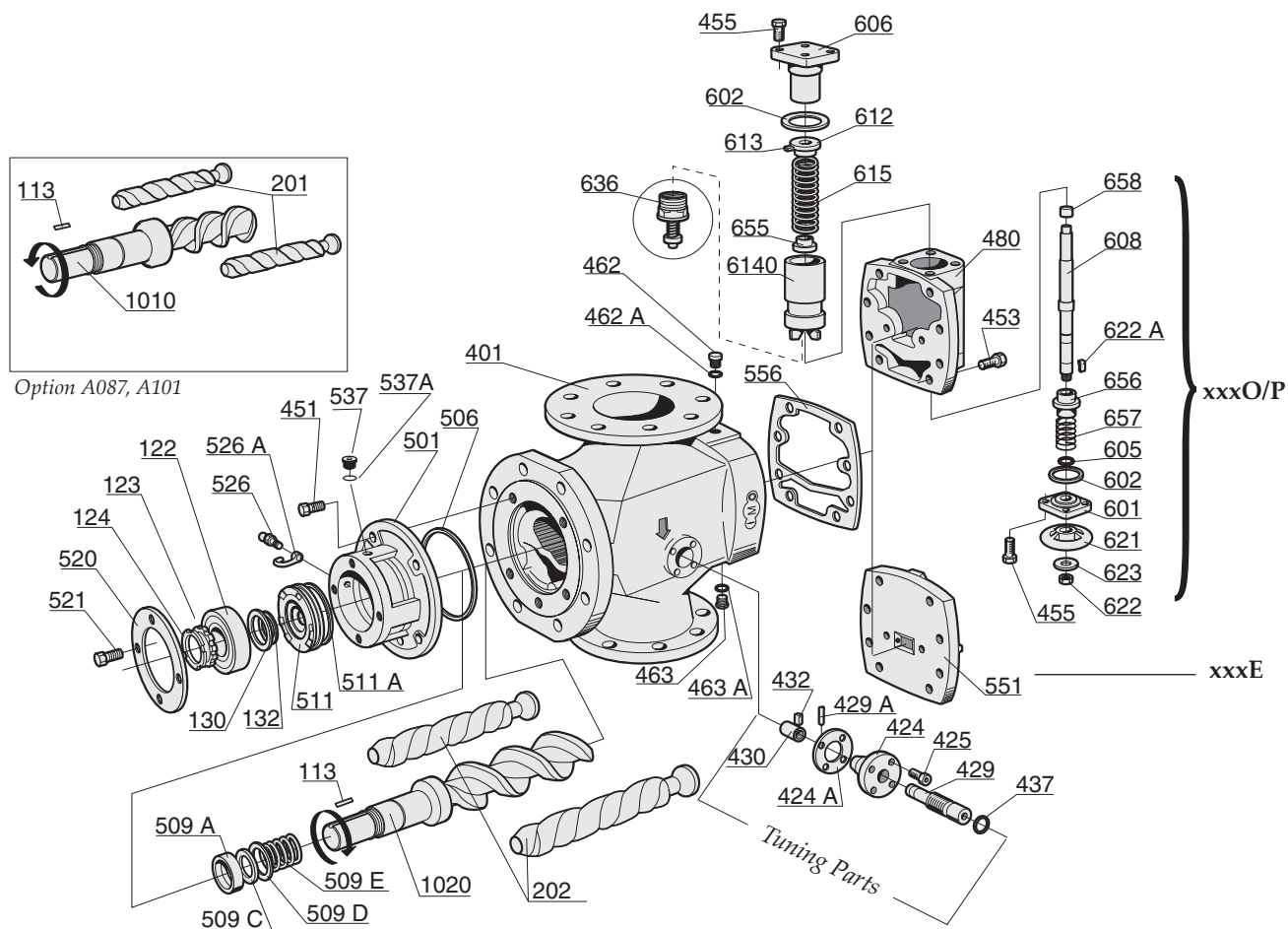
Spares available up to end of 2018.

Ordering code

Pos No	Spare Parts (set)		Part numbers for pump size					Note
			080	090	100	110	125	
G011	Rotor set	K-lead CCW-rot	189665	189666	189667	--	--	5
	"	L-lead	--	--	--	--	--	
	"	N-lead	188661	171249	175638	--	--	5
G012	Rotor set	K-lead CW-rot	187518	187526	187534	--	--	
	"	L-lead	--	--	--	105452	105478	
	"	N-lead	105411	105429	105437	105445	105460	
G050	Shaft seal	xRxx	105486	105494	105502	105502	105502	
	"	xVxx	175562	183467	175570	175570	175570	
G053	Minor kit	N3E/N3F (xRxx)	191593	191595	191597	191599	192276	4
	"	N4 xRxx	191593	191595	191597	191599	191601	4,8
	"	N4 xVxx	191594	191596	191598	191600	191602	4,8
G054	Major kit=G012(G011)+G053+615							
G057	Joint kit	N4 xRxx incl ball bearing	183335	183350	183376	183392	183418	4,8
	"	xVxx - " -	183343	183368	183384	183400	183426	4,8
	"	N3_ xRxx excl ball bearing	191412	191414	191416	191418	192275	
	"	N4 - " -	191412	191414	191416	191418	191420	8
	"	xVxx - " -	191413	191415	191417	191419	191421	8
G070	Valve element	IRxO	066092	066092	066704	066704	067363	1
	"	IRxP	189662	189662	189663	189663	189664	1
	"	IVxO	191564	191564	191566	191566	191568	
	"	IVxP	191565	191565	191567	191567	191569	
122	Ball bearing		104257	104356	017293	017293	017293	4
	"	A084/A087	017251	159459	188141	188141	188141	6
123	Locking washer		017483	104364	094805	094805	094805	
124	Nut		017475	104372	094797	094797	094797	
424	Tuning cover		154658	154658	154658	154658	154658	
424A	Gasket		154666	154666	154666	154666	154666	
425	Screw		124636	124636	124636	124636	124636	
429	Throttle spindle		159038	159038	154674	154674	154674	
429A	Tension pin		158337	158337	158337	158337	158337	
430	Piston		--	--	159046	159046	158311	
432	Tension pin		--	--	179127	179127	179127	
437	O-ring	xRxx	015933	015933	015933	015933	015933	
	"	xVxx	016709	016709	016709	016709	016709	
480	Valve housing	Ixxx	088039	088039	088047	088047	088054	1
506	O-ring	N3E/N3F (xRxx)	016444	016477	016493	016519	016519	
	"	N3E/N3F A051 (xVxx)	016972	164293	160697	152868	152868	
	"	N4 xRxx	016444	016477	016493	016519	016527	8
	"	N4 xVxx	016972	164293	160697	152868	117325	8
509C	Rubber ring	xRxx	012765	012815	012948	012948	012948	
	"	xVxx	012781	012831	076745	076745	076745	
556	Gasket		021386	021386	021717	021717	021873	1
608	Valve spindle		046581	046581	048967	048967	051243	1
614	Valve piston		046599	046599	048975	048975	051250	1
615	Valve spring	xxxO	021451	021451	021766	021766	022061	1
	"	xxxP	021352	021352	021774	021774	022079	1
657	Spring		090654	090654	090662	090662	090670	1
	Name plate		169870	169870	169870	169870	169870	
	Grease gun		188824	188824	188824	188824	188824	4

Spares available up to end of 2018.

Exploded view



Recommendation

For maintenance the following spare parts kits are recommended:

Set *To be used:*

G057 **Joint kit**
 For dismantling of the pump

G053 **Minor kit**
 For service

G054 **Major kit**
 For repair after damage or greater wear

Ordering example:

For IMO-pump ACF 080N4 IRBO
 serial number 456789:
 Minor kit G053, p/n 078576

Notes:

- 1) Also valid for pump N2F & N2F/60
- 2) Also valid for pump N3F but above tuning parts must be ordered. The pump will then, with the change of pump body, be upgraded to form N4.
- 4) Not valid for A084 and A087.
- 5) Valid for A087 & A101
- 6) Valid for A084 & A087
- 7) Production is discontinued, components may still be available in stock, please contact IMO AB.
- 8) Size 125: Pumps in generation N4 delivered during 1985-summer 1986 have the old N3 (smaller) o-ring.
 p/n nitrile 016519 / viton 152868 (size 209,3x5,7)
 All N4-pumps delivered since summer 1986 are equipped with the current bigger o-ring
 p/n nitrile 016527/ viton 117325 (size 219,3x5,7)